

Metal Plate Power Shunts 140A, 4 Terminal

NEW

KOA
Your Passive Solution

For high current applications, KOA introduces two new series of 4 terminal current shunts. Constructed using a solid metal alloy resistance element with copper terminations the device provides superior corrosion and heat resistance and has excellent pulse resistance.

These new shunt resistors are ideal for accurate high current sensing in automotive and industrial applications as well as in pulse applications.

PSG4, PSF4 Series



Product Features

- PSG4: 2725 inch, 140 A - 0.5 mΩ, 89 A - 1 mΩ
- PSF4: 1216 inch, 100 A - 0.5 mΩ, 54 A - 1 mΩ
- Kelvin terminal construction
- ±50 ppm/K (+25 °C to +125 °C)
- Ultra-low resistance, suitable for large current detection
- Excellent long-term stability and pulse withstanding performance
- Robust copper terminations
- EU-RoHS compliant
- AEC-Q200 qualified

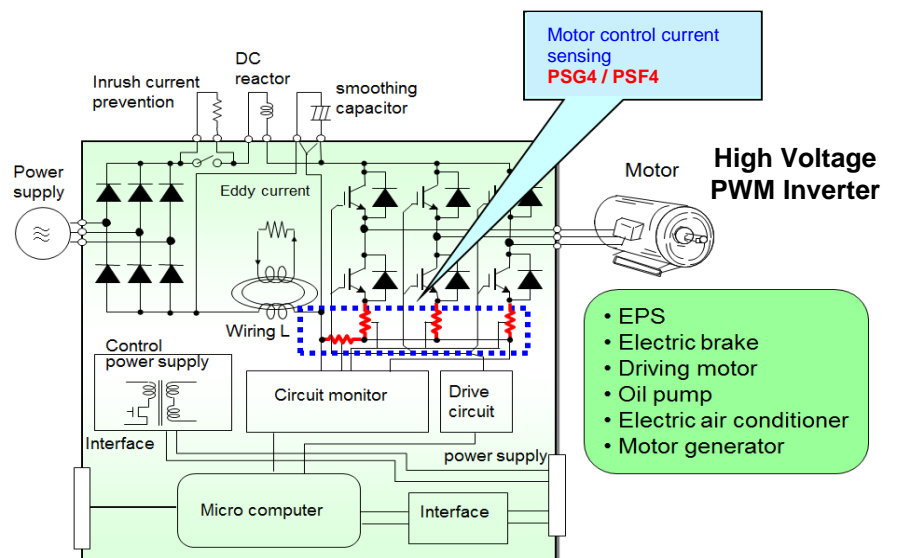
Ratings

Type	Power Rating	T.C.R. (×10 ⁻⁶ /K)	Resistance Range (Ω)	Resistance Tolerance	Rated Terminal Part Temp.	Operating Temp. Range
PSG4	2725 10W	±50	0.5m	F : ±1%	75°C	-65~+175°C
	8W		1m			
PSF4	1216 5W	±50	0.5m	F : ±1%	130°C	-65~+175°C
	3W		1m			

NEW

Application Examples

- High current automotive applications (ECU, EPS, motor control, EV/HEV)
- DC/DC converter
- Inverter power supplies
- Frequency converters
- Intelligent power modules



For more information, please contact:

KOA Europe GmbH, Kaddenbusch 6, D-25578 Dägeling-Itzehoe, Germany

Phone: +49 (0)4821 89890, E-Mail: koa-europe@koaeurope.de, Internet: www.koaeurope.de